

**WORKING CONNECTION FOR MICRON-BORIS-TAFFY-SAURO**

**ATTENTION!**

PLEASE, INDICATE THE SERIAL NUMBER SHOWN ON THE PACKAGING LABEL IN THE SPACE SHOWN BELOW.

FOR PRODUCT GUARANTEE TO BE VALID IT IS NECESSARY TO RETAIN THIS DOCUMENTATION.

READ CAREFULLY THE TECHNICAL DATA AND THE INSTRUCTIONS SHEET BEFORE INSTALLING AND/OR USING THE PRODUCT. PRODUCT GUARANTEE WILL BE CONSIDERED NULL AND VOID IF IT IS RETURNED WITHOUT THIS DOCUMENT INDICATING THE SERIAL NUMBER

SERIAL NUMBER (AS SHOWN ON PACKAGING).....

**TECHNICAL FEATURE OF THE ARTICLES MICRON-BORIS-TAFFY-SAURO**

The articles MICRON-BORIS-TAFFY-SAURO are new-conceived lighting devices, simple and reliable, but at the same time are the outcome of a careful choice of highly technological components.

Realized in aluminium alloy with bright satin finishing, they are suitable for the many decorative lighting applications for interiors, for recessed installations, wall or ceiling installations.

The user is not expected to do any kind of maintenance, so it is strongly recommended not to disassemble the various parts of the devices.

**OPTICAL FEATURES:**

Colour	Average Colour temperature °K or dominant wavelength	Flux Lumen
Warm White	3000K	160
White	5700K	200
Natural White	4000K	160
Blue	455 nm	40
Red	625 nm	75
Green	525 nm	140
Amber	590 nm	65

The values refer to a single LED light (1W)

Decline of lighting features declared by the manufacturer:  
20% after 10.000 working hours  
30% after 50.000 working hours

**MICRON'S FEATURES:**

**LED:** 1x1W XPE/XPG/NVSL/NVSW – **Available Lens:** no lens

**Power Supply:** 350 mA. The power supply can occur with an electronic transformer, which we supply. DO NOT use other types of power supplies, which may not be compatible and may damage the LED, or drastically shorten its life.

Electronic transformer 26700/E3 o 26700/E8 o 26700/E12:

26700/E3: Suitable for a minimum of 1 to a maximum of 3 spots.

26700/E8: Suitable for a minimum of 4 to a maximum of 8 spots.

26700/E12: Suitable for a minimum of 4 to a maximum of 12 spots.

**ATTENTION:** Insert the power supply of 230 Volts on the electronic transformer, only after realizing all the connections. Possible connections on screw terminals + and – with voltage on power supply, may damage the LED.

**Protection Degree:** IP20

**Maximum Dimensions:** diam. 22x23 mm

**ATTENTION: Do not press the coverage lens of the LED.**



**BORIS' FEATURES:**

**LED:** 1x1W XPE/XPG/NVSL/NVSW– **Available Lens:** 24° - 40° - 120°

**Power Supply:** 350 mA. The power supply can occur with an electronic transformer, which we supply. DO NOT use other types of power supplies, which may not be compatible and may damage the LED, or drastically shorten its life.

Electronic transformer 26700/E3 o 26700/E8 o 26700/E12:

26700/E3: Suitable for a minimum of 1 to a maximum of 3 spots.

26700/E8: Suitable for a minimum of 4 to a maximum of 8 spots.

26700/E12: Suitable for a minimum of 4 to a maximum of 12 spots.

**ATTENTION: Insert the power supply of 230 Volts on the electronic transformer, only after realizing all the connections. Possible connections on screw terminals + and – with voltage on power supply, may damage the LED.**

**Protection Degree:** IP55

**Maximum Dimensions:** diam. 50x34,50 mm

**TAFFY'S FEATURES:**

**LED:** 1x1WXPE/XPG/NVSL/NVSW– **Available Lens:** 120°

**Power Supply:** 350 mA. The power supply can occur with an electronic transformer, which we supply. DO NOT use other types of power supplies, which may not be compatible and may damage the LED, or drastically shorten its life.

Electronic transformer 26700/E3 o 26700/E8 o 26700/E12:

26700/E3: Suitable for a minimum of 1 to a maximum of 3 spots.

26700/E8: Suitable for a minimum of 4 to a maximum of 8 spots.

26700/E12: Suitable for a minimum of 4 to a maximum of 12 spots.

**ATTENTION: Insert the power supply of 230 Volts on the electronic transformer, only after realizing all the connections. Possible connections on screw terminals + and – with voltage on power supply, may damage the LED.**

**Protection Degree:** IP20

**Maximum Dimensions:** diam. 55x18 mm

**SAURO'S FEATURES:**

**Finishing:** Black, nickel or white

**LED:** 1x1W XPE/XPG/NVSL/NVSW – **Available Lens:** 24° - 40° - 120°

**Power Supply:** 350 mA. The power supply can occur with an electronic transformer, which we supply. DO NOT use other types of power supplies, which may not be compatible and may damage the LED, or drastically shorten its life.

Electronic transformer 26700/E3 o 26700/E8 o 26700/E12:

26700/E3: Suitable for a minimum of 1 to a maximum of 3 spots.

26700/E8: Suitable for a minimum of 4 to a maximum of 8 spots.

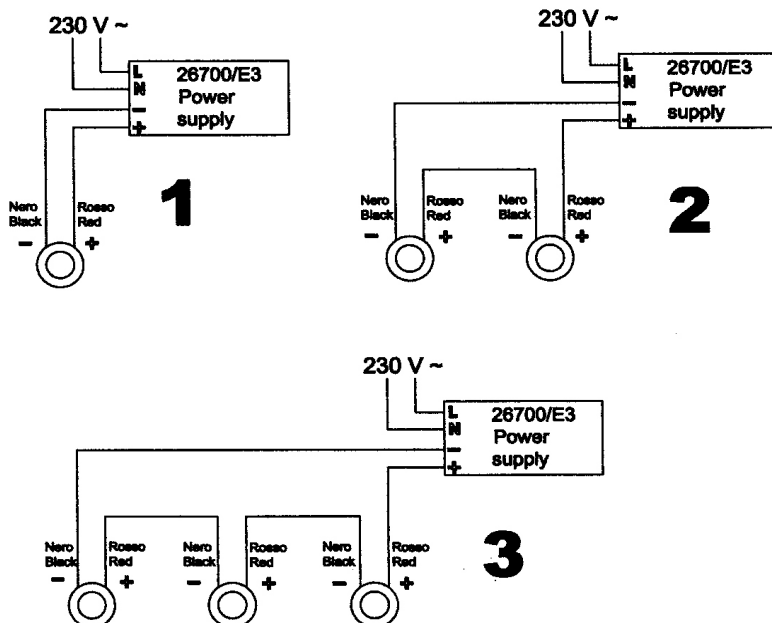
26700/E12: Suitable for a minimum of 4 to a maximum of 12 spots.

**ATTENTION: Insert the power supply of 230 Volts on the electronic transformer, only after realizing all the connections. Possible connections on screw terminals + and – with voltage on power supply, may damage the LED.**

**Protection Degree:** IP40

**Maximum Dimensions:** diam. 55x37 mm

Examples of connecting the power supply 26700/E3 for:



**IMPORTANT: The safety of the device is guaranteed only with the observance of the instructions. The producer undertakes no responsibility for the non-observance of the following instructions or for the incompetence of the user. In case of doubts, please address to professional technicians.**

**WARRANTY CONDITIONS – The use of the product automatically implies the full acceptance of all the warranty conditions hereunder given.**

The products that come within the field of application of the Directives 89/336, 92/31 and 73/23 CE, updated by the Directive 98/68 CE and following amendments, must be compliant with the essential requisites of the same, in order to be introduced on the market and installed in the territory of the European Community. Compliance with CE Directive is certified by the special CE-mark on the product and/or on its packaging or on the instructions. The products that don't lie in the field of application of the Directives are, in any case, in compliance to the Directive 92/89 (general products safety). The products that are specifically intended for exportation to non-European countries, and are prohibited from distribution on the European market, do however comply with safety standards and are manufactured according to state-of-the-art standards; and if they are used in compliance with the necessary instructions, and subjected to regular maintenance, when foreseen, will ensure safety to both people and things. It must be pointed out that products, for which a specific destination of use is not envisaged, must be used by qualified persons for professional use exclusively. All markings, drawings and indications of the products are provided for reference only, and are not-binding. All products must be connected and installed by qualified people in accordance with the "CEI system" standards that apply in Italy, or the European norms or simply following the relative instructions. Liability will not be accepted in the event of any fault function as the result of incorrect installation for not-reading of the instructions or bad interpretation of the same. Those responsible for the installation or the use of the product must ensure that they undertake all the necessary precautions as laid down in the relative instructions and regulations provided with the product because of incorrect use or installation may cause the risk of damage to both people and things.

**LEGAL WARRANTY** – The legal warranty is given to the final consumer, it has got a two year's duration from the purchasing date and is given for the conformity's defects of the products, for an intrinsic flaw of the same (intended as a working defect or as a not-conformity of the item to whom agreed at the moment of purchase). In any case Tector is not responsible for any not-conformed goods, should the purchaser have been aware of this situation at the time of purchase. All complaints regarding presumed faults of the product, and all possible disputes, must be notified in writing within 8 days from receipt. The warranty terms will be void should the purchaser fail to notify such defects within this term. The legal warranty contemplates the repairing or the replacement of the product that is not conformed to the original one, upon return of the same and, when not possible, the price reduction, or the resolution of the contract.

**COMMERCIAL WARRANTY - Warranty is considered valid only between Manufacturer and Purchaser** for a period of two years from manufacturing date as shown on the packaging label or by the serial number (the serial number needs to be indicated in the space provided in this technical data sheet which needs to be returned together with the fitting). The warranty will only be valid providing that the appliance is returned in adequate packaging and providing that all the components are in good conditions and have not been modified or tampered with. This is a limited warranty and, except in the case of wilful misconduct or gross negligence, the warranty excludes, among other items, the costs for removal or installation and / or means of access to products, the damage caused to the product or non-functioning, including loss of profits, loss of savings and any special, indirect or consequential damages and any claims by third parties advanced by the buyer. Tector also declines all liability against compensation claims relating to profit loss, or for damage to people or things as the result of the incorrect use of the product or faulty installation of the same. Tector's liability only relates to product defects which are found to exist during normal working conditions as envisaged in the product instructions, and the correct use of same accordingly to correct working procedure or eventual reference norm. In particular no liability is accepted for defects coming **from circumstances beyond control**, such as adverse weather situations or natural catastrophic events (over-voltage, lightning strikes etc.), incorrect installation, improper use or use not conformed to instructions, or in violation of whatever standard, safety code, norms or use instructions, not-correct maintenance or any other abuse, tampering with the product, modifications without Tector's consent, or in the event of complaints related to the normal decline in product performance as the result of the normal wear of the product itself, especially in case of wear of the spot. The warranty is not valid in case of deterioration or corrosion of the item, following a use in particularly aggressive surroundings or for the use of not-suitable cleaning products. Even if the supplying of the spare parts is guaranteed, we will not replace for free the fragile or prone to wear and tear parts, that are not covered by warranty and, specifically for what concerns lighting products, the warranty does not cover glasses and bulbs.

For further clarity, the warranty is NOT valid if the appliances are used and/or installed without their specific power supply or in a manner that fails to comply with the enclosed instructions, or technical/electrical norms, or good working practice, or if they have been modified without the Tector's consent, or by using non-original components or unsuitable components, or if one or more parts of the same are found to be missing (as for example screws, cable clamps, gaskets, etc.), or if they are found to have been broken as the result of knocks, falls or improper use, if they were damaged by water's penetration caused by bad maintenance or carelessness in application of the technical instructions or mounting directions. Warranty is limited to the repair of the damaged product and/or the replacement with an equivalent product, providing that the manufacturer deems the return motive as justified. The lighting tonality of the LED, or its colour temperature, are subject to more or less sensible tolerances in comparison to the declared nominal values, imposed by the constructor of the LEDs. For this reason, disputes about the light tonality will not be accepted, after the installation of the product. In any event the warranty is valid for a maximum of two years from the date of product's manufacture or delivery, and always providing that the purchaser is able to demonstrate that the product had been correctly stored, installed and used. The warranty is limited to Tector's decision to either do a return with refund of the price to the customer, or the free repair or replacement of defective products. The warranty term will be void should the product be returned in inadequate packaging, damaged packaging, or in bad conditions, according to the manufacturer's judgement, or conditions differing to the simple standard use, even prolonged through time.

The damage compensation, if the relative confirming documentation exists and if it is verified by Tector, is admitted only if Tector does not fulfil the contract's conditions for the legal and commercial warranty, contemplating the reparation or replacement of the product, resulting in the cancellation of the sales contract. In any event such compensation will be limited to a maximum of the double of the original purchase price, and in any case not higher than the limits foreseen by our sale's conditions, equal to the 15% of any supply, with a maximum limit of Euro 15.000, independently from the number of supplies. In order to be able to apply these terms, the purchaser must have regularly made all payments as envisaged in the sale's contract.

**EXTENSION OF WARRANTY** – The extension of warranty for the products is given on the ground of the following adjunctive clauses.

1. All warranty conditions foreseen from the production's date (or delivery date if different) remain valid, until the following 24 months; successively the conditions listed in following points will be valid.
2. The duration of the warranty is extended to 3 or 5 years from the production's date marked on the item, or if higher, from the date of the delivery, only and exclusively if the extension of warranty with its duration is stated on the sale's documents.
3. The adjunctive warranty is exclusively intended for the products that ceased working within the period of 3 or 5 years from the date stated in point 2, and for the reasons listed in following points. The warranty, with the restrictions listed in the following points, applies only for the products that ceased working due to breakage or exhaustion of one or more mechanical, electrical or electronic elements or for deterioration and breakage of the components, caused by the product's corrosion. Warranty is not applied to the products that have a normal decline of electrical, mechanical or aesthetic features caused by wear, by envioning conditions or by intensive use; therefore, a working product, although aesthetically degraded, will not be replaced under warranty. Considering that the use of a not suitable bulb could degrade the product, with consequences similar to those caused by the atmospheric corrosion, Tector will not take into consideration requests for repairing or replacement under warranty, if the product will be returned to the manufacturer without bulb (also if burned), so with no possibility to verify if the product was correctly used. Warranty will not be valid in case of improper use or corrosion caused by agents different from the atmospheric ones, as for example solvents or cleaning acids, or for a corroded item because of an accidental upsetting of petrol, oil or other materials that could damage the product. Warranty will not be valid if it will be evident that the user did not provide a regular maintenance and cleaning of the product, and particularly if the glass was not always kept well-clean from crusts and deposits of dirt.
4. In particular, the warranty is not applicable to still working products with a decline of the original lighting efficiency higher than the one of other products.
5. The period of warranty presupposes a maximum working cycle of 4000 hours/year.
6. The warranty is not applicable if all conditions listed in the legal and commercial warranty have not respected, and when not-correct maintenance, or a replacement with not-original parts, or whatever kind of intervention that modified the product or the original installation has been done. It is not applicable if the damage of the product was caused by exceptional atmospheric events (hurricane, earthquake, floods), by direct or indirect bolt, by vandal or war acts (hooliganism, insurrection, revolution) or by whatever kind of intentional or unintentional damage, that could not be bound to a defect of the product.
7. During the adjunctive warranty period, any charge of any kind will not be recognized, but only a replacing product or its reparation will be made available to the purchaser (ex-works). Only in case of damage, real and proved by documents, that the product caused to things or people, the RC-products Tector's insurance will intervene.
8. Guarantee extension to 3 or 5 years will be considered operational only after controlling the system or installation, prior to its start-up, by one of our staff and in a manner to our discretion. The costs of such verification will normally be included in the sale price of the product. Alternatively, at the discretion of Tector, the buyer is to acquire a certificate of proper installation execution of the system, issued by a professional installer.
9. The guarantee, in accordance with Point 3, becomes effective through a normal report accompanied by appropriate documentation (a brief technical report and photographic backup) from the buyer. After consulting the documentation provided, Tector undertakes to retrieve the material that has ceased to function and has to be delivered carriage paid to Tector. Tector undertakes at its discretion to repair or replace the product that has ceased to function, within 60 days of receipt of product to be repaired or replaced and to make it available to the buyer for collection at its factory in Lequio Tanaro. The repairing does not compel the manufacturer to give a brand-new product, but to bring it into use again. The replacement, if considered necessary, does not oblige the manufacturer to give exactly the same product, but one adaptable in the place of the original, with the same features and the same function.
10. In case the product, meanwhile, was out of production, Tector undertakes the responsibility for a replacement of the not-working product with a similar or equivalent one. In this case the purchaser will correspond to Tector a reimbursement of expenses, equal to a 50% of the original sale's price of the product.
11. Should be object of warranty a product especially made and on custom's request, Tector engages to provide for the repairing or replacing, up to a maximum of 10% of the pieces sold. In this case Tector reserves the right to provide for it within 120 days from the receipt of the non-working products.
12. In case the manufacturer could not completely or partially fulfil what indicated on point 10 and point 11, within the 3 or 5 years from the extended warranty, an amount equal to the 50% of the original unit sales price, for every not-repaired or not-replaced product, being part of the conditions foreseen by this extension of warranty and until the maximum global limit of the 30% of the original supplying, will correspond to the customer.
13. The conditions from point 1 to 12, are intended as substitutive to any other verbal or written agreement, regarding the product correctly identified at point 2 and are valid only on expressed acceptance of the same, and after the reception of this document signed by the manufacturer and by the customer.
14. During the period of extension of warranty, so after two years from the delivery, the indemnity for damages consequent to the resolution of the sale's contract is not applied.

**(01/2026)**